

Spokane Series 4 Arm Cluster Pendant

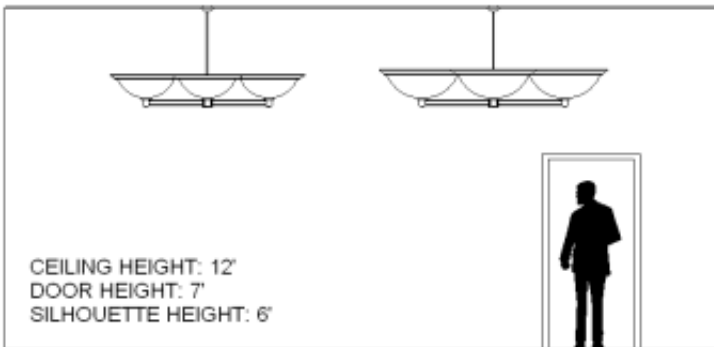


SAMPLE CATALOG NUMBER

Model Number - Lamping Code - Finish - Hanging - Diffuser - Options

| Model | Lamping Options | | | | | | | | | |
|--------------|-----------------|---------------------|---------|---------|--------|---------|----------|---------|------------|-------------|
| Model Number | Lamping Code | Body Lamping | Voltage | Circuit | Finish | Hanging | Diffuser | Options | Dimensions | |
| SP5012V | EBW | 38,600lm LED (284W) | 120/277 | 1 | PC | SS | AD | DM | W | 72" |
| | EBX | 57,800lm LED (432W) | 120/277 | 1 | | MS | | FD | HT | 17" |
| | EFE | 8-F42TBX (387W) | 120/277 | 1 | | | | | OAH | 3' |
| | BGG | 16-F42TBX (773W) | 120/277 | 1 | | | | | Y | 4 @ 30"x10" |
| | BGD | 16-100W-A21 (1600W) | 120 | 1 | | | | | | |
| SP6214V | ECA | 38,600lm LED (284W) | 120/277 | 1 | PC | SS | AD | DM | W | 90" |
| | DWY | 64,400lm LED (476W) | 120/277 | 1 | | MS | | FD | HT | 19" |
| | BGK | 32-F42TBX (1546W) | 120/277 | 1 | | | | | OAH | 4' |
| | BGH | 24-100W-A21 (2400W) | 120 | 1 | | | | | Y | 4 @ 36"x12" |
| | | | | | | | | | | |

Scale



PRODUCT FEATURES

- Fabricated and welded metal housing
- Powder coated metallic finish
- UV stable, white acrylic diffuser (Standard)
- Optional specialty diffuser materials available
- Energy efficient LED or fluorescent lamping
- Wired for dual circuit operation (Body Lamping/Down Lamping)
- High power factor electronic ballast or LED driver
- Optional dimming ballast 120V or 277V (LED or fluorescent lamping)
- Fixture may be Chain or Stem hung (extra length may be added, specify OAH) (OAH - Over All Height - is the length from the ceiling to the bottom of the fixture.)
- Mounts to standard 4" octagonal electrical junction box (by others), Box requires

Abbreviation Key

Dimensions

| | |
|-----|----------------|
| W | Width |
| HT | Height |
| OAH | OverAll Height |
| Y | Y-Dimension |

Lamp Descriptions

| | |
|----------|--|
| 100W-A21 | Medium Base, 100W Max, Incandescent or LED |
| F42TBX | 42W triple biax, 4-PIN GX24q-4 base |
| LED | 3000 Kelvin Warm White LED |

Finishes

| | |
|----|-------------|
| PC | Powder Coat |
|----|-------------|

Hanging Style

| | |
|----|-------------|
| SS | SINGLE STEM |
| MS | MULTI-STEM |

additional structural support (by others)

- For slopes greater than 35 degrees (from horizontal) order steep pitch adapter (Stem only)
- UL / cUL or ETL / cETL listed
- Contact Us for more lamping options.

Diffusers

| | |
|----|----------------------------------|
| AD | Acrylic (White Acrylic Standard) |
|----|----------------------------------|

Options

| | |
|----|---------|
| DM | Dimming |
|----|---------|

| | |
|---------|---------------------------------|
| DIM-010 | 0-10V four wire control dimming |
|---------|---------------------------------|

| | |
|----|------------------|
| FD | Frosted Diffuser |
|----|------------------|