

## San Francisco Series 3-Arm Cluster Pendant

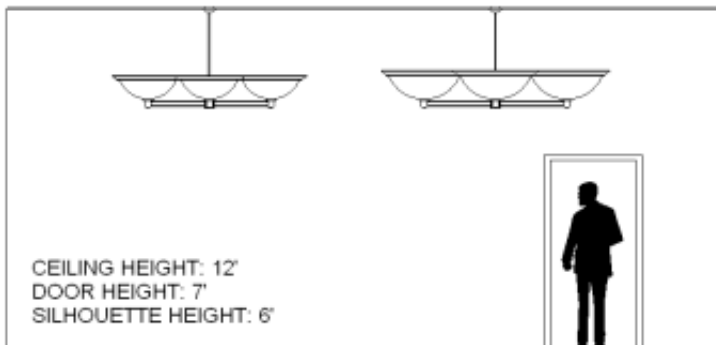


Model Number	Lamping Code	Body Lamping	Circuit	Finish	Diffuser	Mounting	Options
<b>SF5012U</b> • W 78" • HT 14" • OAH 3' (OverAll Height) • Y 3 @ 30"x10"	EBU	23,500lm LED (143W)	1	PC	AD PA	ST MS SP	D1 FD
	EBV	37,000lm LED (238W)	1	PC	AD PA	ST MS SP	D1 FD
	BFV	12-100W A21 (1200W)	1	PC	AD PA	ST MS SP	FD
<b>SF6214U</b> • W 96" • HT 16" • OAH 4' (OverAll Height) • Y 3 @ 36"x12"	EBZ	28,000lm LED (175W)	1	PC	AD PA	ST MS SP	D1 FD
	DWW	41,300lm LED (270W)	1	PC	AD PA	ST MS SP	D1 FD
	BFZ	18-100W A21 (1800W)	1	PC	AD PA	ST MS SP	FD

### SAMPLE CATALOG NUMBER

**Model Number - Lamping Code - Finish - Mounting - Diffuser - Options**

### Scale



### PRODUCT FEATURES

- Fabricated and welded metal housing
- Powder coated metallic finish
- UV stable, white acrylic diffuser (Standard)
- Optional specialty diffuser materials available

### Abbreviation Key

#### Dimensions

W	Width
HT	Height
OAH	OverAll Height
Y	Y-Dimension

#### Lamps

100W A21 Medium Base, 100W Max, Incandesent or LED

#### Finish Types

PC Powder Coat

#### Diffuser Types

- Energy efficient LED or fluorescent lamping
- Wired for dual circuit operation (Body Lamping/Down Lamping)
- High power factor electronic ballast or LED driver
- Incandescent lamping is Triac or ELV dimmable - consult lamp and dimmer manufacturer for compatability.
- Optional dimming ballast 120V or 277V (LED or fluorescent lamping)
- Fixture may be Chain or Stem hung (extra length may be added, specify OAH) (OAH - Over All Height - is the length from the ceiling to the bottom of the fixture.)
- Mounts to standard 4" octagonal electrical junction box (by others), Box requires additional structural support (by others)
- For slopes greater than 35 degrees (from horizontal) order steep pitch adapter (Stem only)
- UL / cUL or ETL / cETL listed
- Contact Us for more lamping options.

AD	Standard Acrylic Diffuser
PA	Premium Acrylic Diffuser

#### Mountings

ST	Stem
MS	Multi-Stem
SP	Steep Pitch Canopy for Stem

#### Options

FD	Frosted Diffuser
D1	LED 0-10V low voltage control dimming